



PRODUCT CATALOG NO.88

**SEALING SYSTEMS
FOR DOORS
AND WINDOWS**

Photoluminescent

When Nothing Else Is Good Enough
For Long Enough



Photoluminescent Stairway Marking Systems



MEA 8-06-M

ZERO photoluminescent systems facilitate safe emergency exits during building evacuations when power systems have failed. Designed for compliance with Building Code Standard RS 6-1/1A of New York City Building Code Section 27-383(b) for photoluminescent exit path markings adopted in May 2005, for both new construction and renovations.

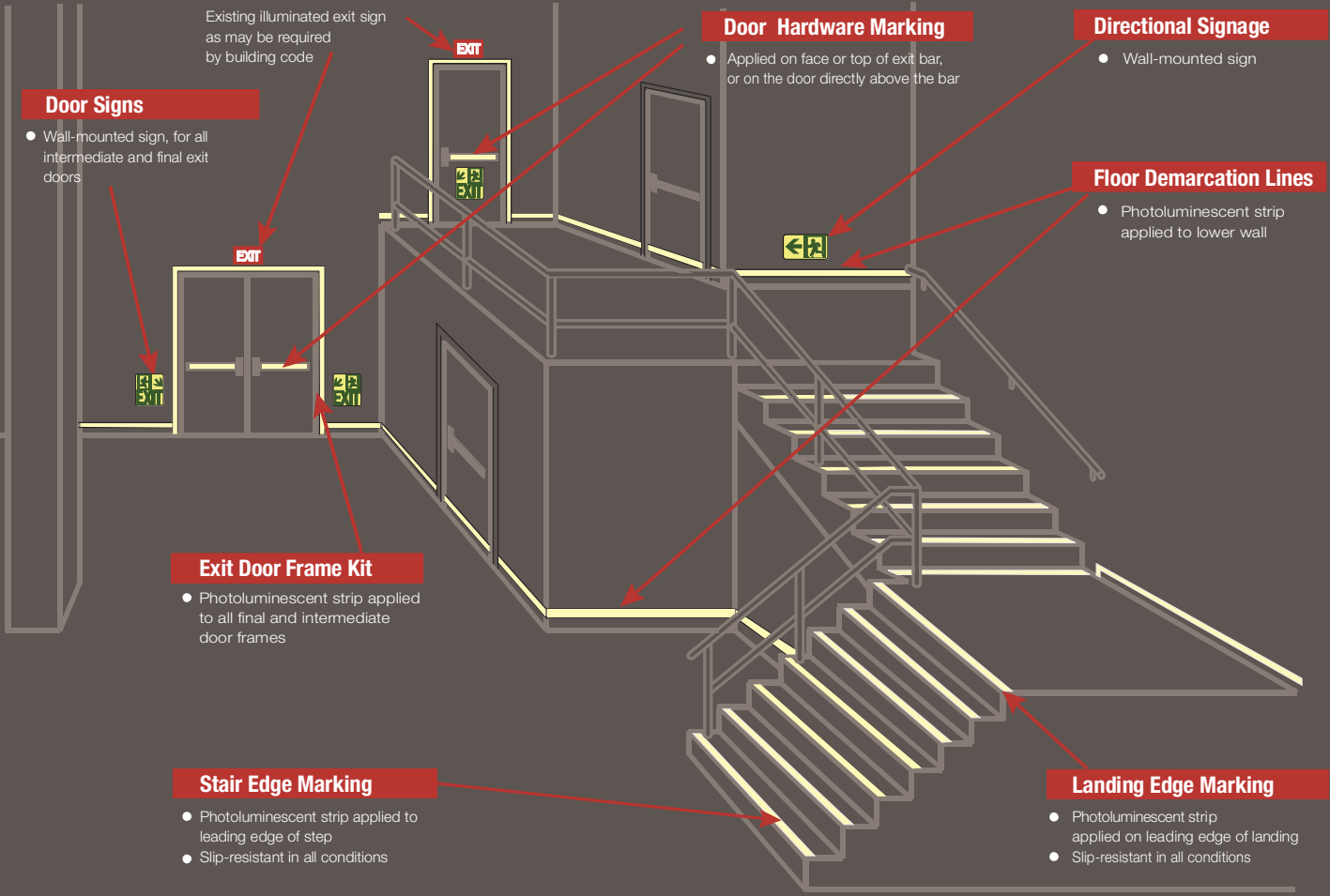
ZERO's solutions to these requirements include a variety of self-adhesive signage and marking systems designed for specific uses, as well as non-slip **TRACTION TREAD™ GLOW** stair nosings.

Photoluminescent material is charged by exposure to ambient light and emits luminescence after the activating light source is no longer available. Made with top-grade strontium pigments, the material in our systems is non-electric, non-toxic and non-radioactive. It is designed for easy maintenance, maximum durability and good slip resistance in all conditions.

Our photoluminescent strips and signs feature aluminum backing and foam tape for superior adhesion to the uneven surfaces, including brick, found in many buildings. This backing system consistently outperforms typical vinyl materials, which are best applied to smooth, clean surfaces. Our systems can also be mechanically fastened, if preferred.

TRACTION TREAD™ GLOW stair nosings are recommended for high-traffic installations that demand maximum non-slip safety. The photoluminescent markings are integrated in the outside four grooves as installed on the stair step.

Accepted For Use
City of New York
Department of Buildings
MEA 8-06-M



Door Signs

- Wall-mounted sign, for all intermediate and final exit doors

Existing illuminated exit sign as may be required by building code

Door Hardware Marking

- Applied on face or top of exit bar, or on the door directly above the bar

Directional Signage

- Wall-mounted sign

Floor Demarcation Lines

- Photoluminescent strip applied to lower wall

Exit Door Frame Kit

- Photoluminescent strip applied to all final and intermediate door frames

Stair Edge Marking

- Photoluminescent strip applied to leading edge of step
- Slip-resistant in all conditions

Landing Edge Marking

- Photoluminescent strip applied on leading edge of landing
- Slip-resistant in all conditions

All systems designed to meet NYC Building Code Standard RS 6-1/1A, Stairway Exit Path Marking Requirements. Marking shall be installed in consistent and uniform manner in dimensions, distances and location, throughout the same exit.

All systems designed to meet NYC Building Code Standard RS 6-1/1A, Stairway Exit Path Marking Requirements.

DIRECTIONAL SIGNAGE

Photoluminescent directional signs shall be placed in the stairwell or exit at every entrance, visible upon opening the door into the stairwell or exit. Not required for existing building; however this exception shall not apply to below-grade stories.



#1220
Progress to the Right
8"(203.2) x 4.5"(114.3)



#1221
Progress Down and to the Right
8"(203.2) x 4.5"(114.3)



#1222
Progress Up and to the Right
8"(203.2) x 4.5"(114.3)



#1223
Progress to the Left
8"(203.2) x 4.5"(114.3)



#1224
Progress Down and to the Left
8"(203.2) x 4.5"(114.3)



#1225
Progress Up and to the Left
8"(203.2) x 4.5"(114.3)



#1226
Progress Forward
8"(203.2) x 4.5"(114.3)



#1227
Progress Down from here
8"(203.2) x 4.5"(114.3)

DOOR SIGNS

- Intermediate Exit Door

Wall-Mounted



#1230
EXIT - Left Arrow
(with pictogram)
8"(203.2) x 9"(228.6)



#1231
EXIT - Right Arrow
(with pictogram)
8"(203.2) x 9"(228.6)

Door-Mounted



#1232
EXIT (with pictogram)
13"(330.2) x 4.5"(114.3)

- Final Exit Door

Wall Mounted



#1228
FINAL EXIT
(with pictogram)
8"(203.2) x 11"(279.4)

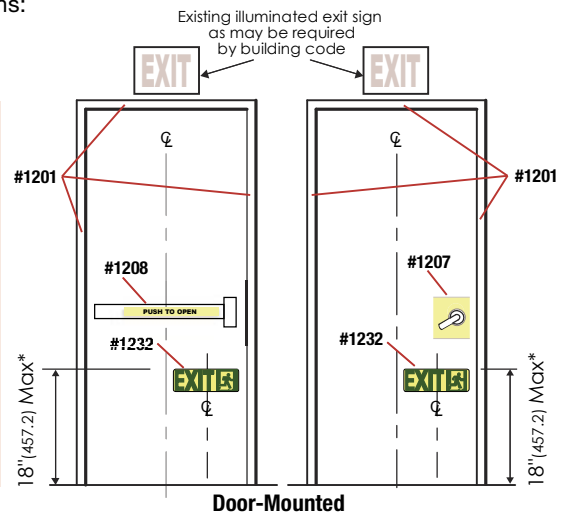
DOOR KIT

DOOR KIT available in two options:

#1237 DOOR KIT - For 3'X7' Door

Kit contains:

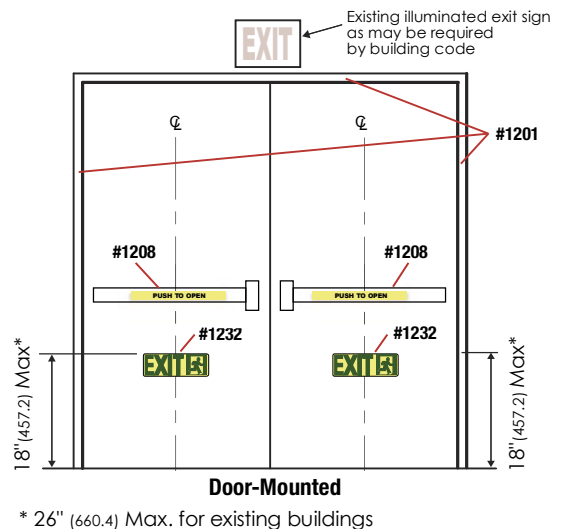
- **#1201** Photoluminescent Strip
1"(25.4) x 36"(914.4) (1 pc.)
1"(25.4) x 84"(2133.6) (2 pcs.)
- **#1207** Door Hardware Marking Latch Type
7.8"(198.1)x6"(152.4) (1 pc.)
- **#1208** Door Hardware Marking Bar Type
1"(25.4) x 30"(762) (1 pc.)
- **#1232** Exit Door sign
13"(330.2) x 4.5"(114.3) (1 pc.)



#1248 DOOR KIT - For 4'X8' Door

Kit contains:

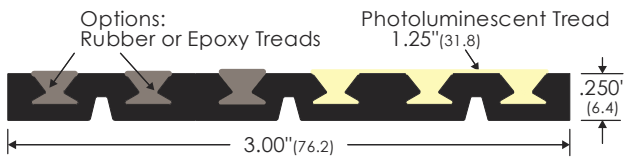
- **#1201** Photoluminescent Strip
1"(25.4) x 48"(1219.2) (1 pc.)
1"(25.4) x 96"(2438.4) (2 pcs.)
- **#1208** Door Hardware Marking Bar type
1"(25.4) x 42"(1066.8) (2 pcs.)
- **#1232** Exit Door sign
13"(330.2) x 4.5"(114.3) (2 pcs.)





TRACTION TREAD™ glow

Non-slip stair nosings that satisfy New York City Standard RS 6-1/1a and other building code standards for **photoluminescent exit path markings**. Profiled grooves with rubber or epoxy inserts provide durable, attractive surfaces that do not collect dirt or water. 1.25 inch wide photoluminescent tread is integrated in the outer 3 grooves along stair edges. Available in standard aluminum finish, Traction Tread nosings are designed for easy cutting and drilling onsite.

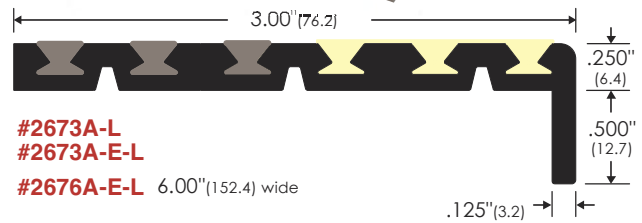


#3673A-L
#3673A-E-L

#3674A-L 4.00" (101.6) wide
#3674A-E-L

#3675A-L 5.00" (127.0) wide
#3675A-E-L

#3676A-L 6.00" (152.4) wide
#3676A-E-L



#2673A-L
#2673A-E-L

#2676A-E-L 6.00" (152.4) wide

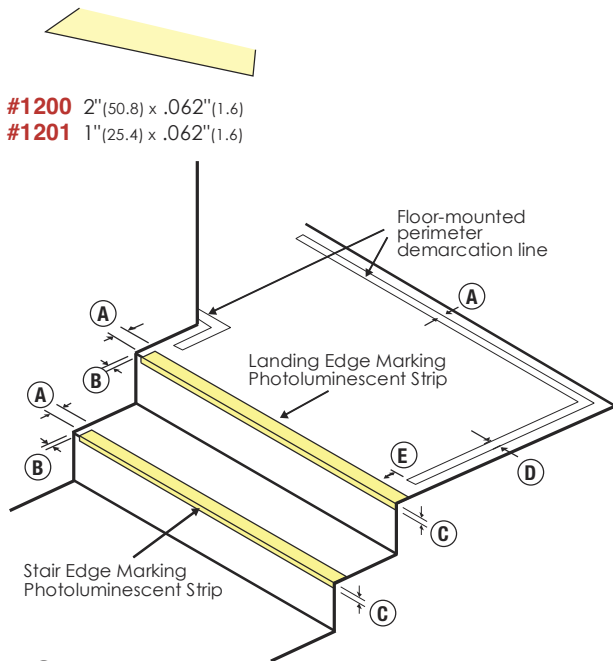
Note:

A-L = Aluminum finish. Rubber / Photoluminescent Treads insert
A-E-L = Aluminum finish. Epoxy / Photoluminescent Treads insert

STAIR & LANDING EDGE MARKING

For existing and new buildings.

Identifies the limits of steps and leading edge of landings.



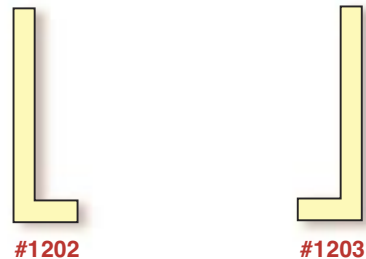
#1200 2" (50.8) x .062" (1.6)
#1201 1" (25.4) x .062" (1.6)

- (A) 1" (25.4) Min
2" (50.8) Max
- (B) 0" Min
- (C) 0" Min
0.5" (12.7) Max
- (D) 4" (101.6) Max
- (E) 0" Min
2" (50.8) Max

SIDE EDGE MARKING

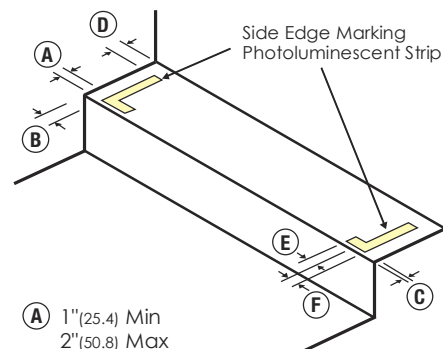
Alternative for existing buildings.

Designed to meet the minimum requirement for existing buildings to illuminate the ends of the stair tread surface, providing visual cues for each stair step during a blackout. Available in 8.5" (215.9) x 3.6" (91.4) x 1.5" (38.1)



#1202

#1203

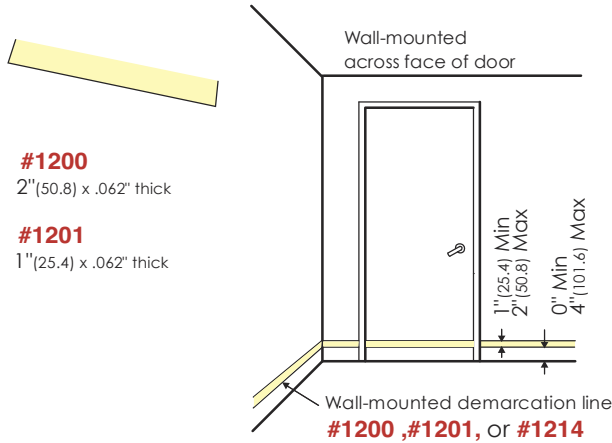


- (A) 1" (25.4) Min
2" (50.8) Max
- (B) 0" Min**
2" (50.8) Max**
- (C) 0" Min**
1" (25.4) Max**
- (D) 2.25" (57.2) Max*
- (E) 2" (50.8) Min
Return
- (F) 1" (25.4) Min
2" (50.8) Max

* Minor variations in consistency and uniformity through same exit permitted
** Consistency and uniformity required

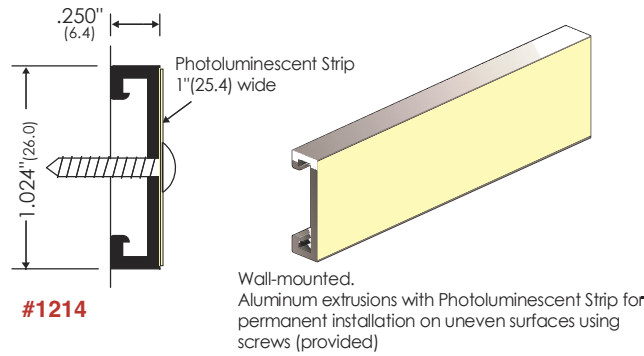
FLOOR DEMARCATION LINES

Suitable for both wall and floor-mounted applications.

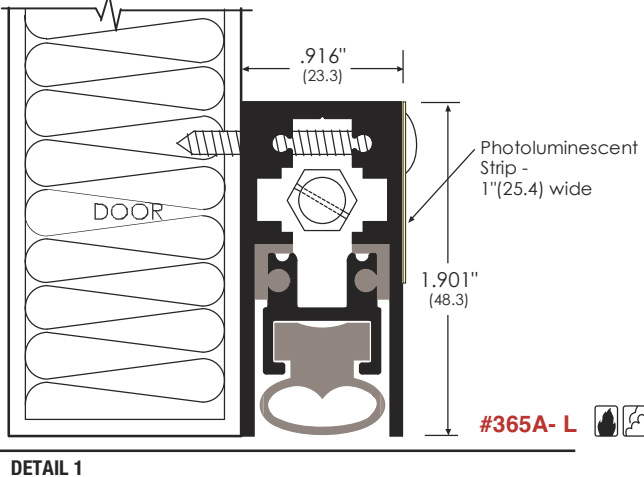
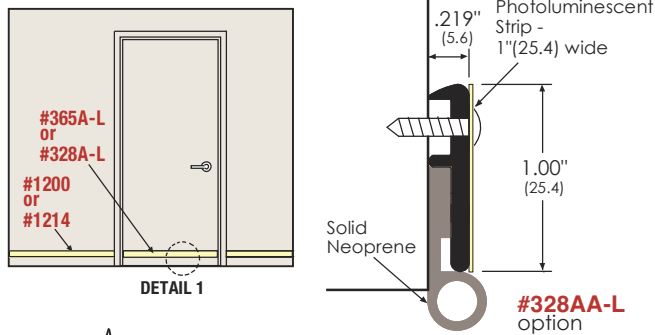


#1200
2" (50.8) x .062" thick

#1201
1" (25.4) x .062" thick



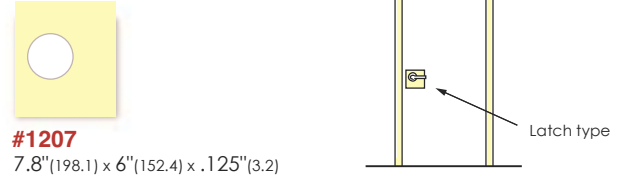
Photoluminescent Sill Protection



DOOR HARDWARE MARKING

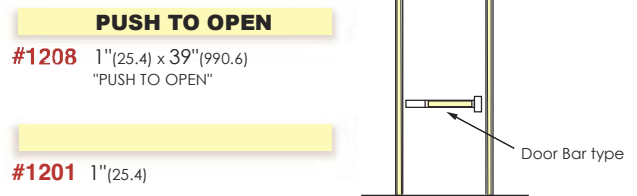
Illuminates door opening mechanisms for better visibility, required for all intermediate and final exit doors. Located behind, immediately adjacent to, or on the door handle and/or escutcheon.

Latch Type



#1207
7.8" (198.1) x 6" (152.4) x .125" (3.2)

Door Bar Types

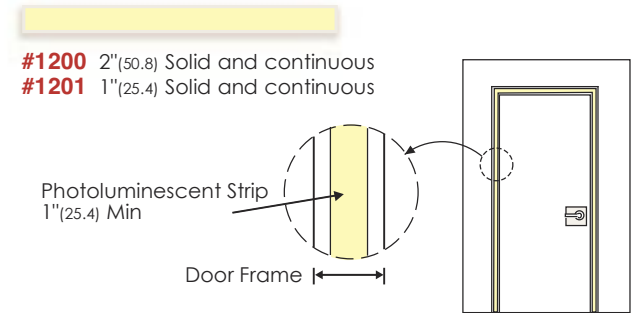


#1208 1" (25.4) x 39" (990.6)
"PUSH TO OPEN"

#1201 1" (25.4)

EXIT DOOR FRAME KIT

Required for intermediate and final exit doorways.



Photoluminescent Head & Jamb Seal

Additional sign and marking under Section 2.5 of RS 6-1

