

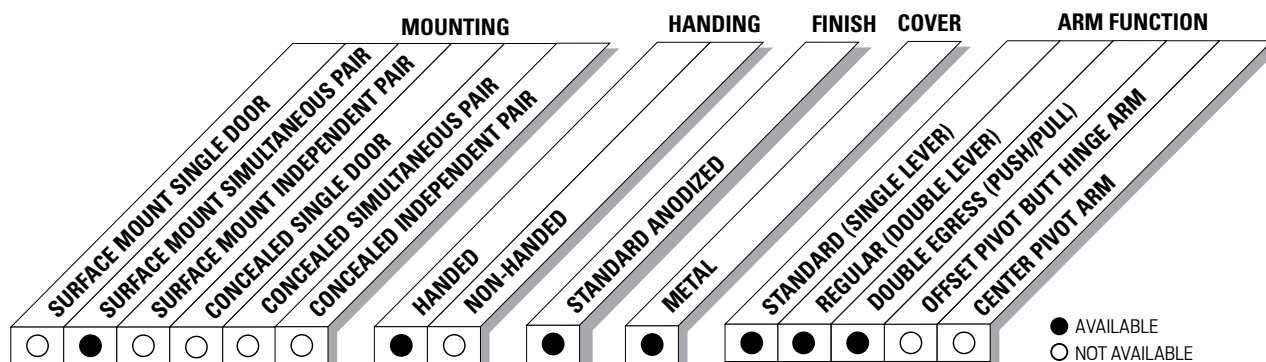


The 9550 SENIOR SWING by LCN is an ADA door operator that is a two-in-one swing door operator. SENIOR SWING operators when activated, opens doors automatically for wheelchair access, yet allows for manual operation for regular pedestrian traffic.

Certifications	Grade 1 - ANSI A156.19, UL325/228, UL1998, ADA, 100 Hour Salt Spray, Meets BAA - Buy American Act	Fasteners	Machine screw pack
Handing	Handed	Mounting	Simultaneous pair, surface mount, pull side, push side, double egress
Door Width	<ul style="list-style-type: none"> ■ Minimum combined door width 52" - 98" (push) ■ Minimum combined door width 60" - 98" (pull; double egress) ■ Simultaneous pair - width per leaf 30" minimum - 48" maximum 	Arms	<ul style="list-style-type: none"> ■ 2 Regular Arms (push) ■ 2 Standard Arms (pull) ■ 1 Regular and 1 Standard (double egress)
Warranty	2 years	Finishes/Colors/ Powder Coat	<ul style="list-style-type: none"> ■ Anodized Aluminum ■ Anodized Dark Bronze

**Special
Templates**

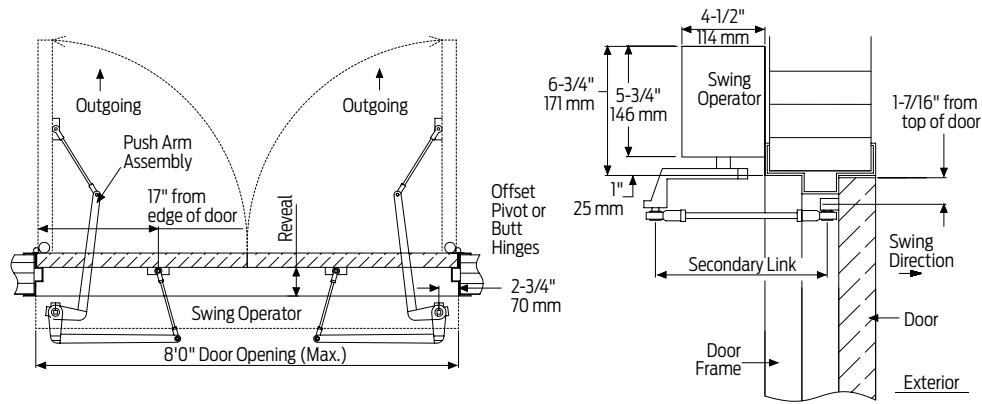
Customized installation templates or products may be available to solve unusual applications. Contact LCN Product Support for assistance.



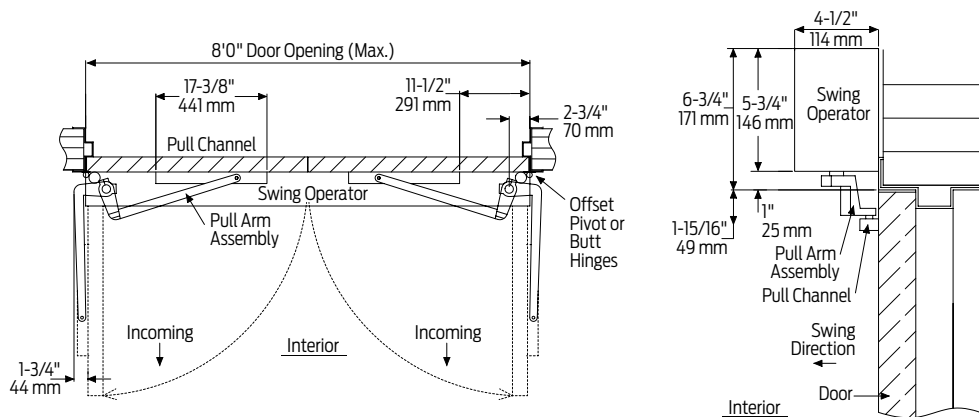
9550 Series Senior Swing

Mounting details

Top Jamb Simultaneous Pair Mounting



Offset pivot/butt hinge, center pivot, push
Consult factory for all balanced door installations.

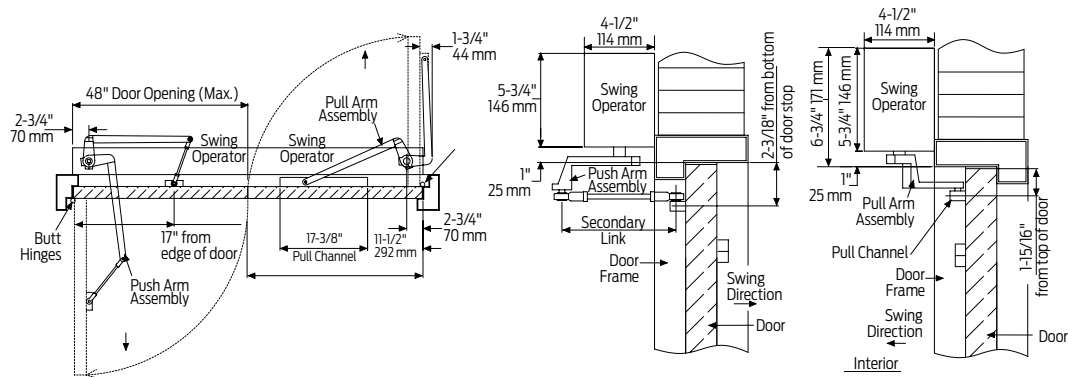


Offset pivot/ butt hinge, center pivot, pull
NOTE: Cannot be used with swing clear hinges, pocket pivots or balanced doors.

Butt Hinges	Should not exceed 5" (127 mm) in width
Reveal for push	Should not exceed 10" (254 mm) for REGULAR ARM and 20" (508 mm) for LONG ARM
Reveal for pull	Should not exceed 4" (102 mm)
Reveal	Double egress installations should not exceed 4" (102 mm)
Head Frame	<ul style="list-style-type: none"> Minimum 1-3/4" (44 mm) Face frame 6-3/4" (171 mm) total operator clearance
Top Rail	Minimum 2-3/4" (70 mm)
Opening and Closing Time	<ul style="list-style-type: none"> Variable by adjustments to the electronic control box Maximum hold open time adjustable up to approximately 32 seconds.
Door Stop	Required for each door panel
System Diagram	See "AUTOMATIC OPERATORS" section page 51 for typical system wiring and page 53 for electrical data
Maximum Opening	Template allows 90 degree power opening and 90 degree manual opening

Notes:

- Push N' Go permits non-switch activation with a power boost providing additional latching force
- Electromechanical unit with microprocessor control
- Digital keypad for easy setup
- 72" header length is standard. Specify other length 52" - 98" (push), specify other length 60" - 98" (pull; double egress). Consult factory regarding this option
- Adjustable hold open period of 2 - 32 seconds in automatic or manual mode
- Actuators available separately, see pages 115-131

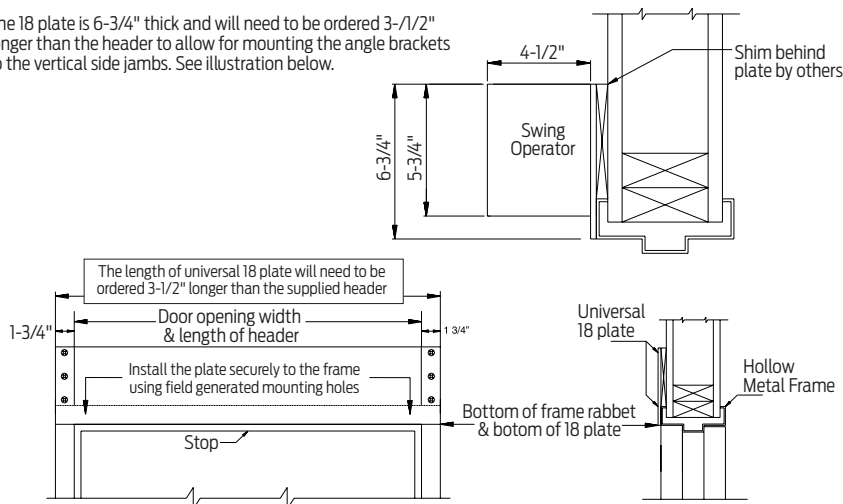


RH double egress

Double egress applications with safety sensors require LCN 9560 series.

NOTE: Cannot be used with swing clear hinges, pocket pivots or balanced door.

The 18 plate is 6-3/4" thick and will need to be ordered 3-1/2" longer than the header to allow for mounting the angle brackets to the vertical side jambs. See illustration below.



Hollow metal frame
Suggested Installation.

Butt Hinges	Should not exceed 5" (127 mm) in width
Reveal for push	Should not exceed 10" (254 mm) for REGULAR ARM and 20" (508 mm) for LONG ARM
Reveal for pull	Should not exceed 4" (102 mm)
Reveal	Double egress installations should not exceed 4" (102 mm)
Head Frame	<ul style="list-style-type: none"> Minimum 1-3/4" (44 mm) Face frame 6-3/4" (171 mm) total operator clearance
Top Rail	Minimum 2-3/4" (70 mm)
Opening and Closing Time	<ul style="list-style-type: none"> Variable by adjustments to the electronic control box Maximum hold open time adjustable up to approximately 32 seconds.
Door Stop	Required for each door panel
System Diagram	See "AUTOMATIC OPERATORS" section page 51 for typical system wiring and page 53 for electrical data
Maximum Opening	Template allows 90 degree power opening and 90 degree manual opening

Notes:

- Push N' Go permits non-switch activation with a power boost providing additional latching force
- Electromechanical unit with microprocessor control
- Digital keypad for easy setup
- 72" header length is standard. Specify other length 52" - 98" (push), specify other length 60" - 98" (pull; double egress). Consult factory regarding this option
- Adjustable hold open period of 2 - 32 seconds in automatic or manual mode
- Actuators available separately, see pages 115-131

9550 Series Senior Swing

Accessories

Motor Gearbox



9550-3454
Motor Gearbox

- Senior swing
- Handed
- Driving mechanism for operator
- Provides maximum 15 lbs opening force

Mount Brackets



9550-275
Mounting Bracket

- Motor gearbox mounting bracket for 2-3/4" offset pivot or butt hinge installations
- Front bracket



9550-3018
Rear Mounting Bracket

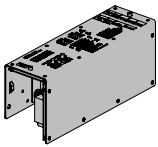
- Motor gearbox mounting bracket



9550-334-1
Angled Bracket

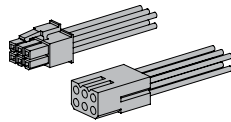
- Mounting bracket for surface applications (includes 2 mounting brackets)

Control Box



9550-3462
Control Box

- Electronic controlling device for Senior Swing



9550-982
Companion Cable

- Cable that allows one control box to run two motor gear boxes
- For use with Senior Swing

Header



9550-3572HL
Header

- Pair door, two operators
- Specify other length 52" to 98" (Push)
- Specify other length 60" to 98" (Pull; Double Egress)
- Standard

End Caps



9550-334
Header End Caps

- With openings for wiring



9550-334-2
End Dress Plate

- Metal finish end cap

Tracks



9550-3038
Track

- Non-handed
- Standard



9550-73
Track End Cap

- Black plastic end caps



9550-3034
Roller

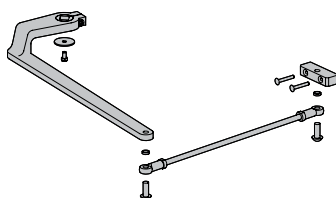
- Quiet low friction roller assembly

Arms



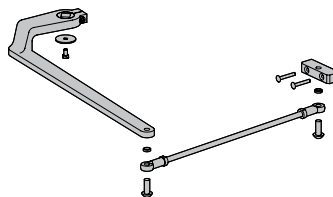
9550-3077Plcm
Standard Arm Assembly

- Handed
- Includes 3077 regular arm assembly, 3038 track, and 3034 track roller



9550-3077
Regular Arm Assembly

- Handed
- Includes 77 main arm assembly and 79 linkage assembly



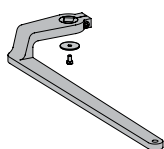
9550-3077L
Regular Long Arm Assembly

- Handed
- Includes 77 main arm assembly and 79LR linkage assembly



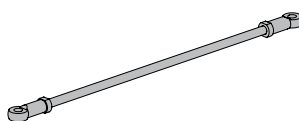
9550-3077T
Standard Arm

- Handed
- Track roller not included



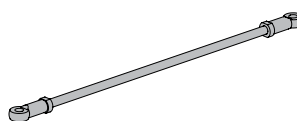
9550-77
Main Arm

- Handed
- Attaches to motor gearbox



9550-79
Linkage Assembly

- 15"
- Threaded rod attaches to door
- Extends from main arm



9550-79LR
Linkage Assembly

- 32"
- Threaded long rod attaches to door
- Extends from main arm
- Used for reveal 10" to 20"

Installation Assembly



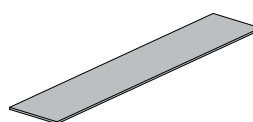
9550-11A
Spindle Plate

- Hides bottom of motor gearbox
- Completes header box
- Cutout allows for motor gearbox shaft
- For 2-3/4" offset pivot or butt hinge installations



9550-12
Filler Plate

- Blank
- Completes length of header box
- Specify length



9550-18
Mounting Plate

- Optional mounting plate for standard hollow metal door frames
- Specify length 68-1/2" to 101-1/2" maximum when using angle brackets
- Specify length 65" to 98" maximum when using dress plates.

NOTE: The length of a universal 18 plate will need to be ordered 3-1/2" longer than the supplied header when using angle brackets.

How-to-order 9550 Series closers

Specify hand

- RH
- LH

Specify header/length

- HL_ (Specify length 52" to 98") regular or long arm
- HL_ (Specify length 60" to 98") for standard or DE arm

Specify finish

- Standard Anodized Finish _____
Aluminum or Dark Bronze

Operator will be shipped with:

- Standard motor gearbox (SF) (2 ea)
- Standard control box (SC)
- Metal cover (at specified length 72" standard)
- Regular arm (2 ea)
- 2-3/4" pivot point
- Machine screw pack
unless options listed below are selected

Operator options

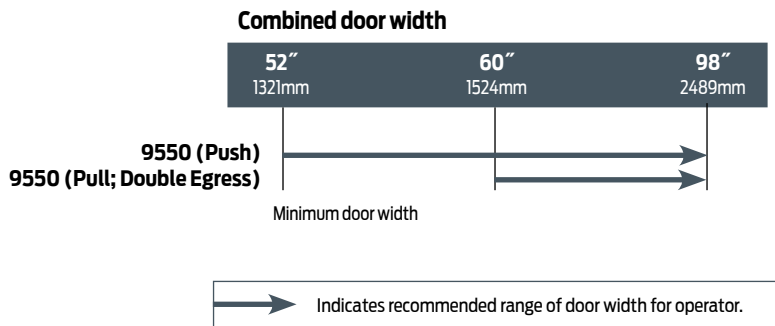
Mounting plate

- Plate, ___ (Specify Length 52" to 101-1/2")

Arm

- Standard Arm (2 ea) w/Standard Track (2 ea)
- Double Egress includes Standard Arm w/Track (1 ea) & Regular Arm (1 ea)
- Long Arm (3077L)

Table of sizes



NOTE: For all Senior Swing Series.

Simultaneous Pair – Width per leaf 26" minimum (push) 30" minimum (pull) to 48" maximum.