

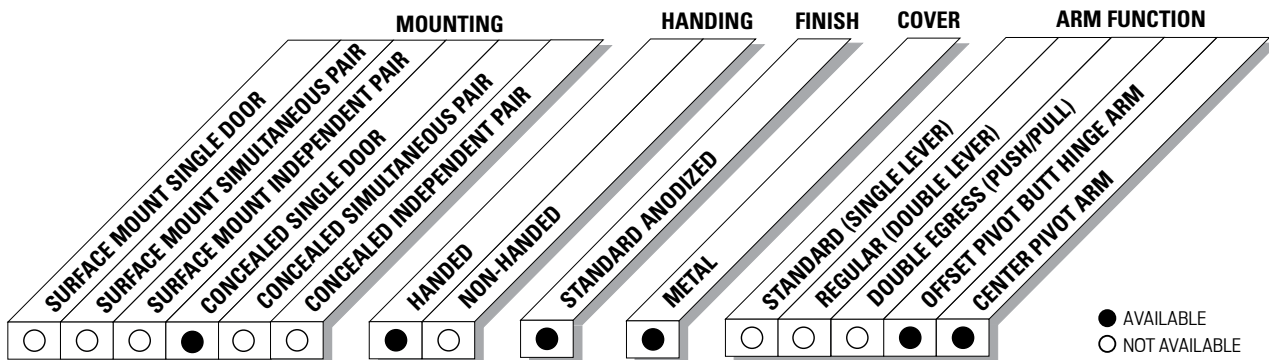


The 2810 SENIOR SWING by LCN is an ADA door operator that is a two-in-one swing door operator. SENIOR SWING operator when activated, opens doors automatically for wheelchair access, yet allows for manual operation for regular pedestrian traffic.

Certifications	Grade 1 - ANSI A156.19, UL325, UL1998, ADA, 100 Hour Salt Spray, Meets BAA - Buy American Act	Fasteners	Wood and machine screws
Handing	Handed	Mounting	Single door, overhead concealed, center pivot, offset pivot, butt hinge
Door Width	Minimum door width 33" - 48" 49" with finger guard. <i>Note: Single door width per leaf 33" minimum, 48" maximum</i>	Arms	Center Pivot Arm or Offset Pivot Arm
Warranty	2 years	Finishes/Colors/ Powder Coat	<ul style="list-style-type: none"> ■ Anodized Aluminum ■ Anodized Dark Bronze

**Special
Templates**

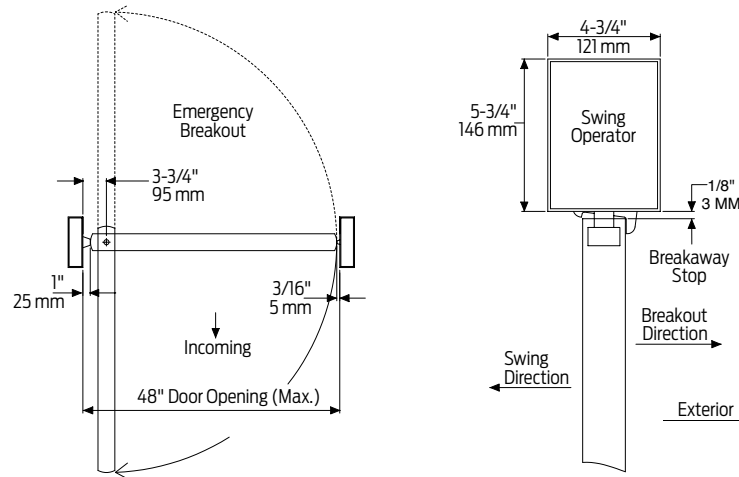
Customized installation templates or products may be available to solve unusual applications. Contact LCN Product Support for assistance.



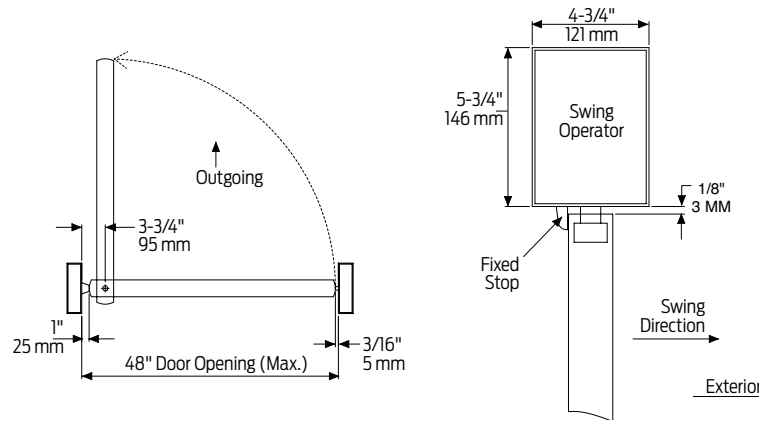
2810 Series Senior Swing

Mounting details

Concealed Single Door Mounting



Center pivot, emergency breakaway, pull
Shown w/ 3-3/4" pivot and finger guard

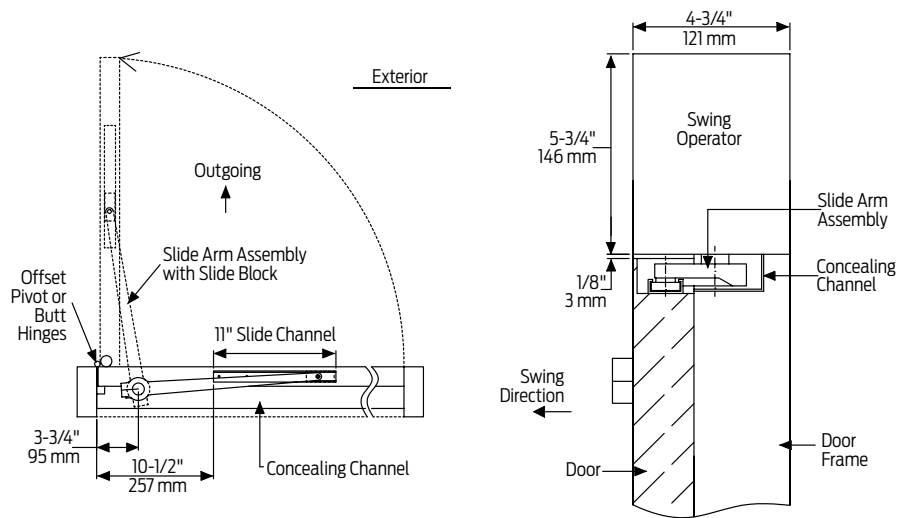


Center pivot, fixed stop, push
Shown w/ 3-3/4" pivot and finger guard

Head Frame	Minimum 36" (L) x 5-3/4" (H) x 4-1/2" (W) (914 mm x 146 mm x 114 mm)
Top Rail	Minimum 2" (51 mm)
Opening and Closing Time	<ul style="list-style-type: none"> Variable by adjustments to the electronic control box Maximum hold open time adjustable up to approximately 32 seconds
Door Stop	Required for each door panel
System Diagram	See "AUTOMATIC OPERATORS" section page 51 for typical system wiring and page 53 for electrical data
Maximum Opening	Template allows 90 degree power opening and 90 degree manual opening
	<ul style="list-style-type: none"> Minimum header length 33" with applied stop by others and 36" with LCN fixed or breakaway stop

Notes:

- Push N' Go permits non-switch activation
- Power boost provides additional latch forcing for electromechanical unit with microprocessor control
- Double door header available up to 98", specify length 49" to 98" maximum (Consult factory regarding this option)
- Fixed (positive) or breakaway stop available with center pivot arm
- Adjustable hold open time of 1-32 seconds



Offset pivot or butt hinge, slide arm, push
Shown w/ 3-3/4" pivot

Head Frame	Minimum 33" (L) x 5-3/4" (H) x 4-1/2" (W) (838 mm x 146 mm x 114 mm)
Top Rail	Minimum 2" (51 mm)
Opening and Closing Time	<ul style="list-style-type: none"> ■ Variable by adjustments to the electronic control box ■ Maximum hold open time adjustable up to approximately 32 seconds
Door Stop	Required for each door panel
System Diagram	See "AUTOMATIC OPERATORS" section page 51 for typical system wiring and page 53 for electrical data
Maximum Opening	Template allows 90 degree power opening and 90 degree manual opening <ul style="list-style-type: none"> ■ Minimum header length 33" ■ Installations require bottom pivot and two intermediate pivots

Notes:

- Push N' Go permits non-switch activation
- Power boost provides additional latch forcing for electromechanical unit with microprocessor control
- Double door header available up to 98", specify length 49" to 98" maximum (Consult factory regarding this option)
- Fixed (positive) or breakaway stop available with center pivot arm
- Adjustable hold open time of 1-32 seconds

Motor Gearbox



**2810-3454
Motor Gearbox**

- Senior swing
- Handed
- Driving mechanism for operator
- Provides maximum 15 lbs opening force

Mount Brackets



**2810-375
Mounting Bracket**

- Motor gearbox mounting bracket for 3-3/4" offset pivot, butt hinge or center pivot with finger guard installations
- Front bracket



**2810-275
Mounting Bracket**

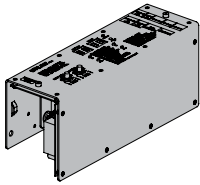
- Motor gearbox mounting bracket for 2-3/4" center pivot installations
- Front bracket



**2810-3018
Rear Mounting Bracket**

- Motor gearbox mounting bracket
- Rear bracket

Control Box



**2810-3462
Control Box**

- Senior swing
- Electronic controlling device for Senior Swing

Headers



**2810-3572HL
Header**

- Standard
- Single door, single operator
- Specify length 33" to 49" maximum



**2810-3572DD
Header**

- Standard
- Double door, single operator
- Specify length 49" to 98" maximum

End Cap



**2810-334
Header End Caps**

- With openings for wiring

Arms



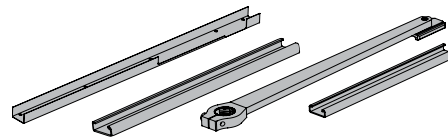
**2810-3077CP
Center Pivot Arm**

- Center pivot installations only
- Used with overhead concealed operators and center pivoted doors



**2810-3077OP
Offset Pivot Arm**

- Offset pivot or butt hung installations only
- Used with overhead concealed operators



**2810-3077 OPCM
Offset Pivot Arm Assembly**

- Offset arm with track and concealing channel (includes 3072 concealing channel, 168 slide channel and 3077OP offset pivot arm)

Channels



2810-3072
Concealing Channel

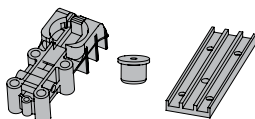
- Used to conceal arm in overhead concealed applications
- For offset pivot installations only
- If ordering separately specify length and hand



2810-168
Slide channel

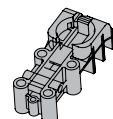
- Offset pivot or butt hinge installations only
- Mounts in top rail of door
- Allows arm to slide

Pivots



2810-3107
Bottom Pivot Assembly

- Includes pivot body, pivot post and bottom pivot plate
- For overhead concealed, center pivoted installations
- Includes: 2810-107, 2810-110 and 2810-117



2810-107
Bottom Pivot Body

- For center pivoted installations



2810-110
Pivot Post

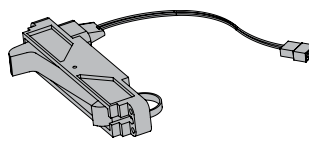
- Connects pivot body to bottom pivot plate for center pivoted installations



2810-117
Bottom Pivot Plate

- Applied to floor for center pivoted installations

Installation Accessories



2810-384B
Door Stop Breakaway

- Allows in-swinging door to swing out in case of emergency
- Disables operator in breakaway mode.
- For center pivoted installations only



2810-384F
Door Stop Fixed

- Prevents out-swinging door from swinging in
- For center pivoted installations only



2810-12
Filler Plate Blank

- Completes length of header box



2810-11A
Spindle Plate

- Hides bottom of motor gearbox
- Completes header box
- Cutout allows for motor gearbox shaft
- For 2-3/4" center pivot installations



2810-11B
Spindle Plate

- Hides bottom of motor gearbox
- Completes header box
- Cutout allows for motor gearbox shaft
- For 3-3/4" offset pivot, butt hinge or center pivot with finger guard installations

How-to-order 2810 Series

Select installation type

- 2811

Specify arm

- 3-3/4" (Offset pivoted) Arm (3077OP)
- 2-3/4" (Center pivoted) Arm (3077CP)
- 3-3/4" (Center pivoted) Arm (3077CP)

Specify hand

- RH
- LH

Specify header/length

- HL_ (Specify length 33" to 49" offset pivot)
- HL_ (Specify length 36" to 49" center pivot)
- DD_ (Specify length 49" to 98")

Specify finish

- Standard Anodized Finish _____
Aluminum or Dark Bronze

Operator will be shipped with:

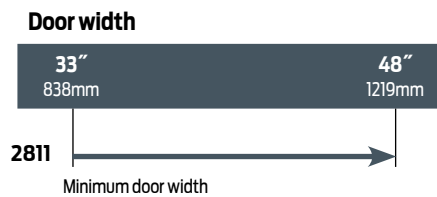
- Motor gearbox,
- Control box,
- Header (at specified length, 36" standard),
- Wood and machine screw pack
unless options listed below are selected.

Operator options

Stops

- Positive Mechanical Stop (POS)
- Panic Breakaway Stop (BKY)
**Available with Center Pivoted installations only*

Table of sizes



→ Indicates recommended range of door width for operator.

*NOTE: For all Senior Swing Series
Single Door - Width per leaf 33" minimum, 48" maximum*