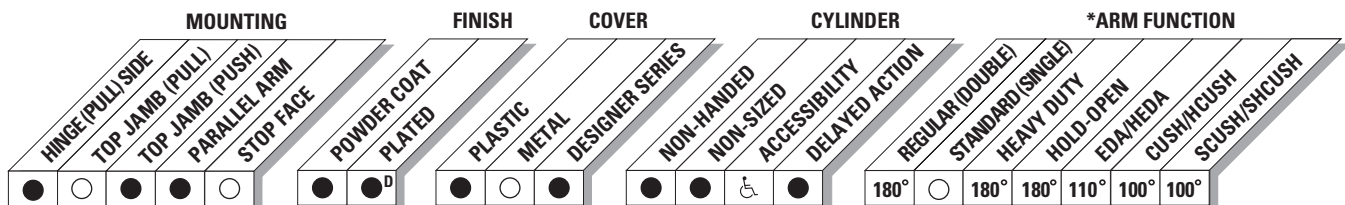


Designed for maximum versatility, the 1460, available with multiple cover options, can be used for both commercial and institutional applications. This fully universal closer offers a wide variety of options and fast and accurate installation.

Certifications	Grade 1 - ANSI A156.4, UL 10C, ADA, 100 Hour Salt Spray, Meets BAA - Buy American Act	Cover	<ul style="list-style-type: none"> ■ Slim Line Plastic, Standard ■ Full Plastic and Metal Designer Series, Optional
Body Construction	<ul style="list-style-type: none"> ■ Cast Iron Body ■ Full Complement Bearing ■ 1-1/4" Diameter Piston ■ 3/4" Diameter Single Heat Treated Pinion Journal 	Fasteners	Self Reaming and Tapping Screws (SRT)
Fluid	All Weather Fluid	Mounting	Hinge (Pull Side), Top Jamb (Push Side), Parallel Arm (Push Side)
Handing	Non-Handed	Arms	Standard regular pull side, and top jamb
Templating	Peel-n-Stick templates - 1" x 7-1/2" Mounting Hole Pattern	Finishes/Colors/Powder Coat	<ul style="list-style-type: none"> ■ Aluminum (689) ■ Statuary Bronze (690) ■ Light Bronze (691) ■ Black (693) ■ Dark Bronze (695) ■ Brass (696) ■ Custom colors optional
Size	Adjustable Spring Size 1-6. Includes Patented Green Dial		<ul style="list-style-type: none"> ■ Optional SRI primer - powder coat only ■ Optional plated finishes
Warranty	30 years		

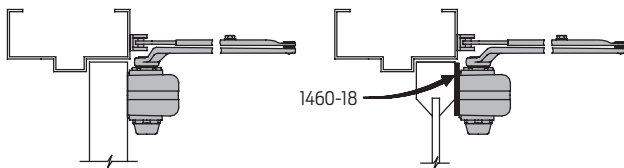
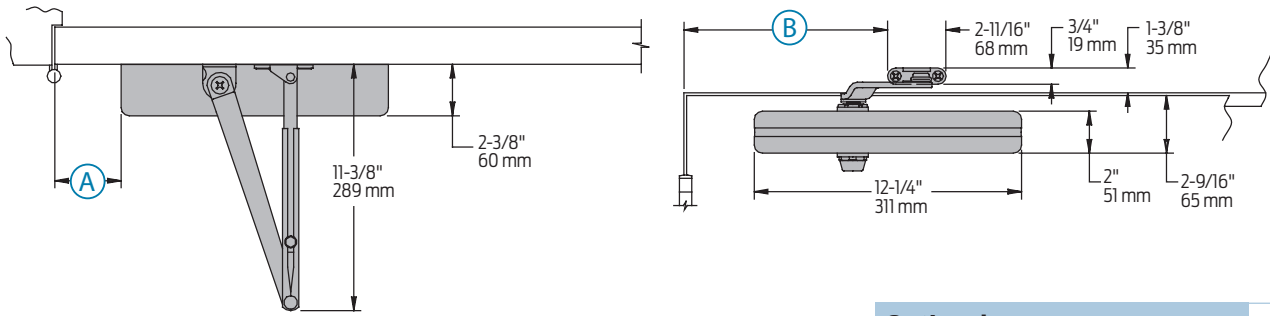
Special Templates

Customized installation templates or products may be available to solve unusual applications. Contact LCN Product Support for assistance.



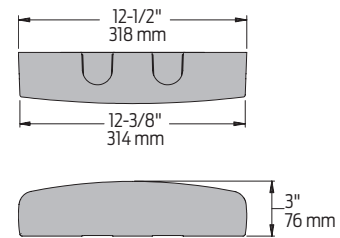
● AVAILABLE
○ NOT AVAILABLE

♿ Closer available with less than 5.0 lbs. opening force on 36" door.
* Maximum opening/hold-open point with standard template.
D = For designer series only.

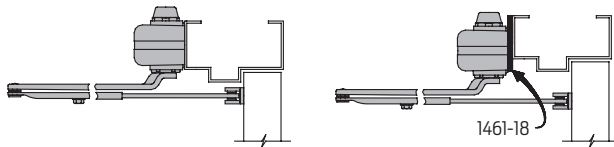
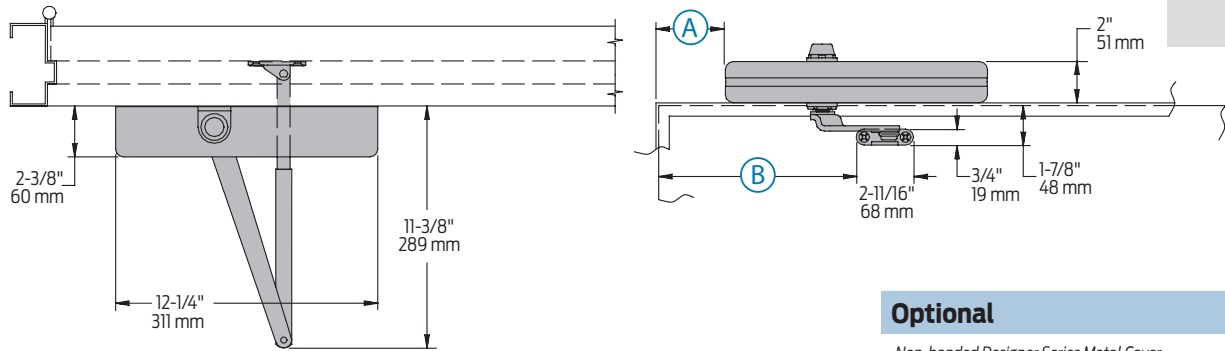


Optional

Non-handed Designer Series Metal Cover

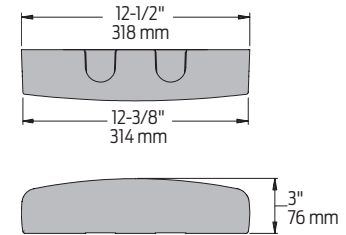


Butt Hinges	Should not exceed 5" (127 mm) in width
Auxiliary Stop	Recommended at hold-open point or where a door cannot swing 180°
Reveal	Should not exceed 3/4" (19 mm) for regular arm or 1/2" (13 mm) for hold-open arm
Top Rail	<ul style="list-style-type: none"> Less than 2-1/2" (64 mm) requires PLATE, 1460-18 With Full cover, use PLATE, 1460-18FC. Plate requires 1-1/2" (38 mm) minimum With Designer Series metal cover, use PLATE, 1460-18DSI
Clearance	2-3/8" (60 mm) behind door required for installation
Delayed Action	<ul style="list-style-type: none"> Add suffix "DEL" to selected cylinder (eg. 1461 DEL) Delays closing from: <ul style="list-style-type: none"> 110° to 65° (using 110° template) 160° to 75° (using 180° template) Delay time adjustable up to approximately 1 minute
Maximum opening	110°: A = 5-7/8" (149 mm) B = 10-7/8" (276 mm) or *180° A = 2-7/8" (73 mm) B = 7-7/8" (200 mm) Hold-open points up to maximum opening with hold-open arm *Frame and trim permitting.

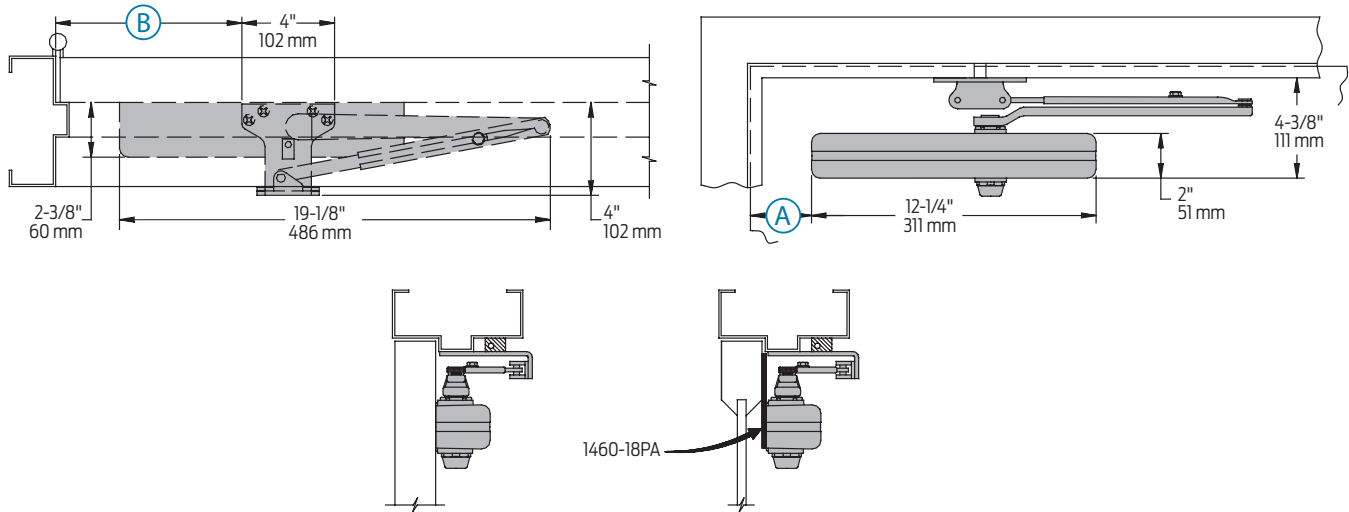


Optional

Non-handed Designer Series Metal Cover



Butt Hinges	Should not exceed 5" (127 mm) in width		
Auxiliary Stop	Recommended at hold-open point or where a door cannot swing 180°		
Reveal	Arm Type	Reveal	Max Opening
	Regular Arm	4-7/8"	Up to 140°
	Regular Arm	3-1/2"	Up to 180°
	Long Arm	7"	Up to 140°
	Hold-Open Arm	2-1/2"	Up to 180°
	Long Hold-Open Arm	4-7/8"	Up to 140°
Top Rail	Requires 1-7/8" (48 mm) minimum. 2-3/4" (70 mm) minimum with closer on PLATE, 1460-18		
Head Frame	Less than 1-3/4" (44 mm) requires PLATE, 1460-18. For flush ceiling condition with 2" (51 mm) head frame, use PLATE, 1460-18		
Delayed Action	<ul style="list-style-type: none"> ■ Add suffix "DEL" to selected cylinder (eg. 1460 DEL). ■ Delays closing: <ul style="list-style-type: none"> 110° to 75° (using 110° template) 180° to 95° (using 180° template) ■ Delay time adjustable up to approximately 1 minute. 		
Maximum opening	110°:	A = 6-3/4" (169 mm) B = 11-1/4" (286 mm)	
	101° to 120°:	A = 3" (76 mm) B = 7-1/2" (191 mm)	
	Hold-open points up to maximum opening with hold-open arm. *Frame and trim permitting.		

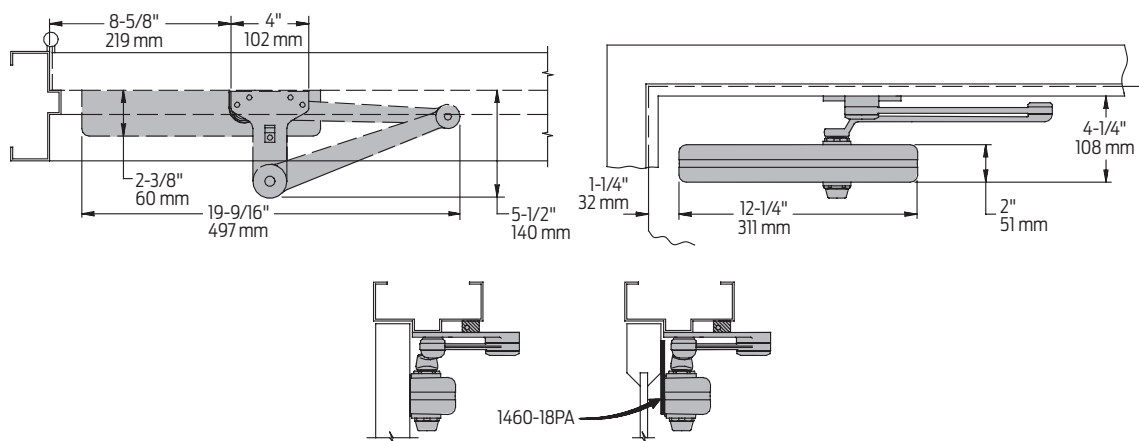


Butt Hinges	Should not exceed 5" (127 mm) in width
Auxiliary Stop	Recommended at hold-open point, where a door cannot swing 180°, or where CUSH-N-STOP arm is not used
Top Rail	<ul style="list-style-type: none"> Less than 4-3/8" (111 mm) measured from the stop requires PLATE, 1460-18PAFC Plate requires 1-3/4" (44 mm) minimum. Plate requires 1-1/4" (32 mm) minimum With Designer Series metal cover, use PLATE, 1460-18PADSI
Clearance	1460-62PA shoe projects 4" (102 mm) from door face
Head Frame	Flush or single rabbeted requires PA SHOE ADAPTER, 1460-419
Stop Width	Minimum 1" (25 mm)
Blade Stop	Clearance, requires 1/2" (13 mm) BLADE STOP SPACER, 1460-61
Auxiliary Shoe	<ul style="list-style-type: none"> 1460-62A allows installation of regular arm with overhead holder/stop Special templating required
Delayed Action	<ul style="list-style-type: none"> Add suffix "DEL" to selected cylinder (eg. P1460 DEL) Delays closing from maximum opening to approximately 75° Delay time adjustable up to approximately 1 minute
Maximum opening	<p>Regular or hold-open arm can be templated to</p> <p>100°: A = 4-1/4" (108 mm) B = 9-1/4" (235 mm)</p> <p>or 180°: A = 1-3/4" (44 mm) B = 6-3/4" (171 mm)</p> <p>Hold-open points up to maximum opening with hold-open arm.</p>

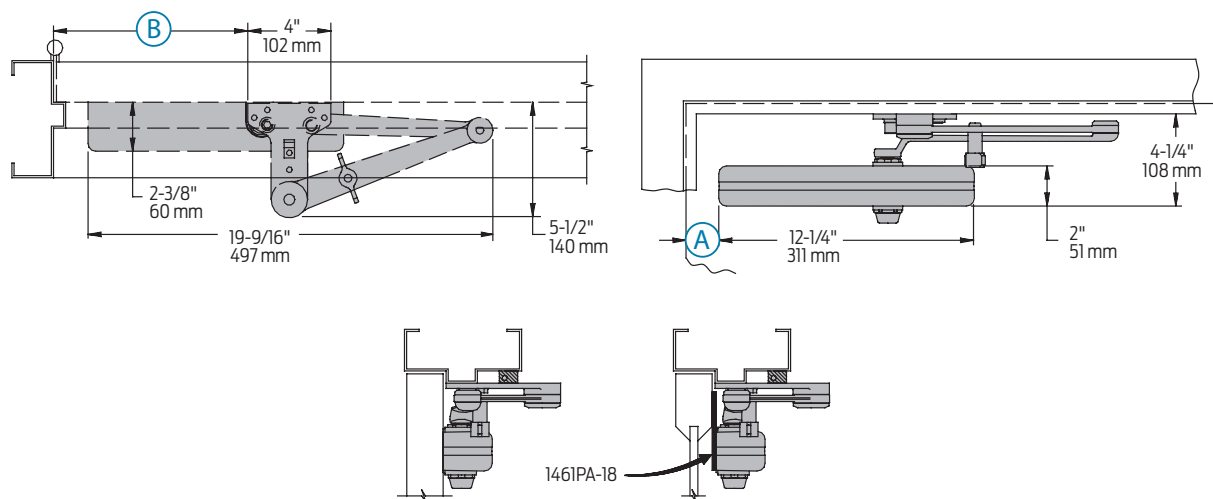
Notes:

- Optional mounting requires PA SHOE, 1460-62PA for REGULAR or HOLD-OPEN arms. Add prefix "P" to closer description (e.g. P1460)
- P1460 closer includes 1460-201 FIFTH HOLE SPACER to support PA SHOE.

EDA mount



CUSH mount



Spring CUSH	Hold open points are approximately 5° less than dead stop point	
Clearance	1460-62EDA or CUSH shoe projects 5-1/2" (140 mm) from door face	
Head Frame	Flush or rabbeted requires PA FLUSH PANEL ADAPTER, 1460-419	
EDA or CUSH ARM	Requires SHOE SUPPORT, 1460-30 for fifth screw anchorage where reveal is less than 3-1/16" (78 mm)	
Maximum opening	EDA template allows 110° Hold-open point up to maximum opening	CUSH arms can be templated for maximum opening/hold-open point at
		85°: A = 2-3/8" (60 mm) B = 9-9/16" (243 mm)
		90°: A = 1-5/8" (41 mm) B = 9-1/16" (230 mm)
		100°: A = 5/8" (16 mm) B = 8-1/16" (205 mm)

Note:

• 1460 closers ordered with EDA, CUSH or SPRING CUSH arms include 1460-201 FIFTH HOLE SPACER to support the shoe

Cylinders



1461-3071
Cast Iron Cylinder Assembly

- Non-Handed
- Standard

Covers



1460-72
Slim Line Plastic Cover

- Non-Handed
- Standard



1460-72FC
Full Cover

- Non-Handed
- Plastic cover
- Optional



1460-72DS
Designer Series Metal Cover

- Non-Handed
- Provides complete enclosure with a stylish look
- Required for plating and custom powder coat option
- Optional

Installation Accessories



1460-18
Plate



1460-18DS1
Plate



1460-18FC
Plate

The following details pertain to the above plates:

- Required for hinge side mount where top rail is less than 2-1/2" (64 mm)
- Required for top jamb mounting where head frame is less than 1-3/4" (44 mm) or flush ceiling condition exists
- Requires minimum 1-1/2" (38 mm) minimum top rail or 1-1/4" (32 mm) head frame
- With full cover, use PLATE, 1460-18FC
- With Designer Series metal cover, use PLATE, 1460-18DS1

Note: 18FC and 18DS will not work in top jamb application.



1460-30
Cush Shoe Support

- Provide anchorage for fifth screw used with CUSH arm where reveal is less than 3-1/16" (78 mm)



1460-30A
Mounting Bracket

- Bracket to be used when installing cylinder body
- Included with cylinder when ordered



1460-61
Blade Stop Spacer

- Lowers parallel arm shoe to clear 1/2" (13 mm) blade stop



1460-62A
Auxiliary Shoe

- Requires a top rail of 7" (178 mm)
- Optional shoe replaces -62PA for parallel arm mounting of regular arm with overhead holder/stop



1460-18PA
Plate



1460-18PADS1
Plate



1460-18PAFC
Plate

The following details pertain to the above plates:

- Required for parallel arm mounting where top rail is less than 4-3/8" (111 mm), measured from the stop
- Requires 1-3/4" (44 mm) minimum top rail
- With full cover, use PLATE, 1460-18PAFC
- With Designer Series metal cover, use PLATE, 1460-18PADS1



1460-419
PA Flush Panel Adapter

- Provides horizontal mounting surface for PA, EDA, or CUSH shoe on single rabbeted or flush frame



1460-62PA
PA Shoe

- Required for parallel arm mounting

Arms



1460-3077
Regular Arm

- Non-handed
- Mounts hinge side or top jamb
- P1460 closer includes PA SHOE, 1460-62PA required for parallel arm mounting



1460-3077L
Long Arm

- Non-handed
- Includes LONG ROD AND SHOE, 1460-79LR for top jamb mount with deep reveals
- Optional



1460-3077HD
Heavy Duty Regular Arm

- Non-handed
- Mounts hinge side, top jamb or parallel arm
- Optional



1460-3077HDL
Heavy Duty Long Arm

- Non-handed
- Includes long rod and shoe, 1460-79LR for top jamb mounts with deep reveals
- Optional



1460-3049
Hold-Open Arm

- Non-handed
- Mounts hinge side, top jamb or parallel arm (62PA required)
- Hold-open adjustable at shoe
- Optional



1460-3049L
Long Hold-Open Arm

- Non-handed
- Includes LONG HEAD AND TUBE, 1460-3048L for top jamb mount with deep reveals
- Optional



1460-3077EDA
Extra Duty Arm

- Non-handed
- Features solid forged steel main and forearm for potentially abusive installations
- Optional 1460-3077EDA/62G for blade stop clearance



1460-3077EDA/62G
Extra Duty Arm w/ 62G

- Non-handed
- Features solid forged steel main and forearm for potentially abusive installations



1460-3049EDA
Hold-Open Extra Duty Arm

- Handed arm
- Provides hold-open function adjustable at shoe
- Optional



1460-3077CNS
Cush-N-Stop[®] Arm

- Non-handed
- Features solid forged steel main arm and forearm with stop in soffit shoe
- Optional



1460-3049CNS
HCUSH Arm

- Non-handed
- Provides hold-open function with templated stop/hold-open points
- Handle controls hold-open function
- Optional



1460-3077SCNS
Spring CUSH Arm

- Non-handed
- For abusive applications features solid forged steel main arm and forearm with spring loaded stop in the soffit shoe
- Optional



1460-3049SHCNS
Spring HCUSH Arm

- Non-handed
- For abusive applications features solid forged steel main arm and forearm with spring loaded stop in the soffit shoe. Handle controls hold-open function
- Optional

How-to-order 1460 Series closers

Select finish

- Standard Powder Coat _____
Aluminum, Dark Bronze, Statuary,
Light Bronze, Black, Brass

Closer will be shipped with:

- Standard cylinder
- Standard cover
- Regular arm
- Self-reaming and tapping screws
unless options listed below are selected.

Closer options

Cylinder

- Delayed Action (DEL)

Cover

- Full cover (FC)
- Designer series cover (DS)

Finish

- Custom Powder Coat (RAL) _____
(DS cover required)
- Plated Finish, US _____
(DS cover required)
- SRI primer (for use with powder coat finishes only)

Arm

- Regular w/62PA (Rw/PA)
- Long (LONG)
- Regular w/62A (Rw/62A)
- Hold-Open (H)
- Hold-Open w/62PA (Hw/PA)
- Long Hold-Open (HLONG)
- Heavy Duty (HD)
- Heavy Duty w/62A (HD/62A)
- Heavy Duty w/62PA (HD/PA)
- Heavy Duty Long (HDL)
- Extra Duty Arm (EDA) (optional -62G)
- Hold-Open Extra Duty (HEDA)
(specify handing), (optional -62G)
- Cush-N-Stop (CUSH)
- HCush (HCUSH)
- Spring Cush (SCUSH)
- Spring HCush (SHCUSH)

Optional screw packs

- TB* w/Self-Reaming and Tapping Screws (TBSRT)
- Wood & Machine Screw (WMS)
- TB*, Wood & Machine Screw (TBWMS)
- TORX Machine Screw (TORX)
- TB* & TORX Machine Screw (TBTORX)
- * Specify door thickness if other than 1-3/4"

Installation accessories

- Plate, 1460-18
- Plate, 1460-18DS
- Plate, 1460-18FC
- Plate, 1460-18PA
- Plate, 1460-18PADS
- Plate, 1460-18PAFC
- CUSH Shoe Support, 1460-30
- Blade Stop Spacer, 1460-61
- Auxiliary Shoe, 1460-62A
- PA Flush Panel Adapter, 1460-419

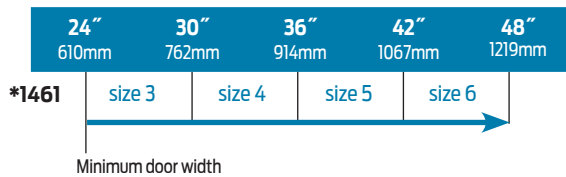
Special template

- ST- _____

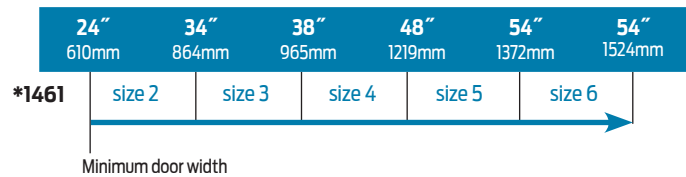
Table of sizes

- Select closer based on width of door
- The spring power of a 1461 cylinder is field adjustable from size 1 through size 6 and is shipped adjusted to size 3

Exterior (and Vestibule) door width



Interior door width




→ Indicates recommended range of door width for closer size.
* Adjustable Size 1 thru 5.

Reduced opening force 1460 Series closers

CAUTION! Any manual door closer, including those certified by BHMA to conform to ANSI Standard A156.4, that is selected, installed and adjusted based on ADA or other reduced opening force requirements may not provide sufficient power to reliably close and latch a door.

Refer to POWER OPERATORS section for information on systems that meet reduced opening force requirements without affecting closing power.

* Maximum opening force.

	DOOR WIDTH	36"	42"	48"
	8.5* lbs.	1461	1461	1461
	5.0* lbs.	1461	1461	1461