

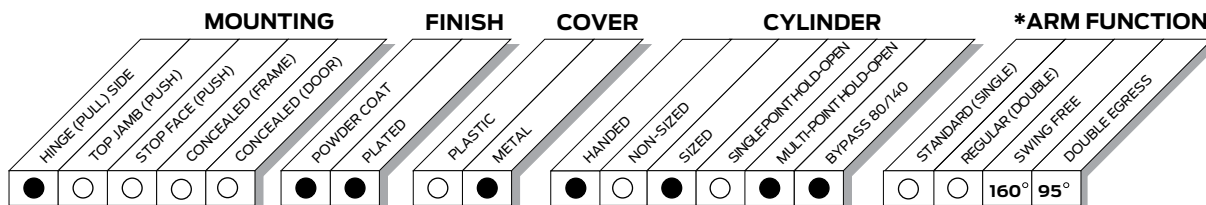


The 4310ME SENTRONIC® is a heavy duty, electrically controlled closer/holder designed to provide infinitely adjustable hold-open for fire and smoke barrier doors. Door is held open until current interruption releases mechanism and the door closes. Single lever (track) arm closer is specifically designed for interior doors. Choice of finishes, cylinder functions, and installation accessories meet virtually all life safety requirements. An ME provides only the closer / holder function.

<b>Certifications</b>	Grade 1 - ANSI A156.15, UL 10C, 100 Hour Salt Spray, Meets BAA - Buy American Act, NFPA 101	<b>Cover</b>	Metal, Standard
<b>Body Construction</b>	<ul style="list-style-type: none"> <li>Cast Iron Body</li> <li>Full Complement Bearing</li> <li>1-1/2" Diameter Piston</li> <li>11/16" Diameter Double Heat Treated Pinion Journal</li> </ul>	<b>Fasteners</b>	Wood and machine screw pack
<b>Fluid</b>	All Weather Fluid	<b>Mounting</b>	Hinge (Pull Side)
<b>Handing</b>	Handed	<b>Arms</b>	Swing free arm, standard Double egress, optional
<b>Size</b>	Sized, 4 only	<b>Finishes/Colors/ Powder Coat</b>	<ul style="list-style-type: none"> <li>Aluminum (689)</li> <li>Statuary Bronze (690)</li> <li>Light Bronze (691)</li> <li>Black (693)</li> <li>Dark Bronze (695)</li> <li>Brass (696)</li> <li>Custom colors optional</li> </ul>
<b>Warranty</b>	2 years		<ul style="list-style-type: none"> <li>Optional SRI primer - powder coat only</li> <li>Optional plated finishes</li> </ul>
<b>Wiring</b>	<ul style="list-style-type: none"> <li>Concealed or exposed electrical connectors</li> <li>Built in "On/Off" switch controls hold-open function</li> <li>Interfaces with fire alarm systems</li> </ul>		

**Special Templates**

Customized installation templates or products may be available to solve unusual applications. Contact LCN Product Support for assistance.



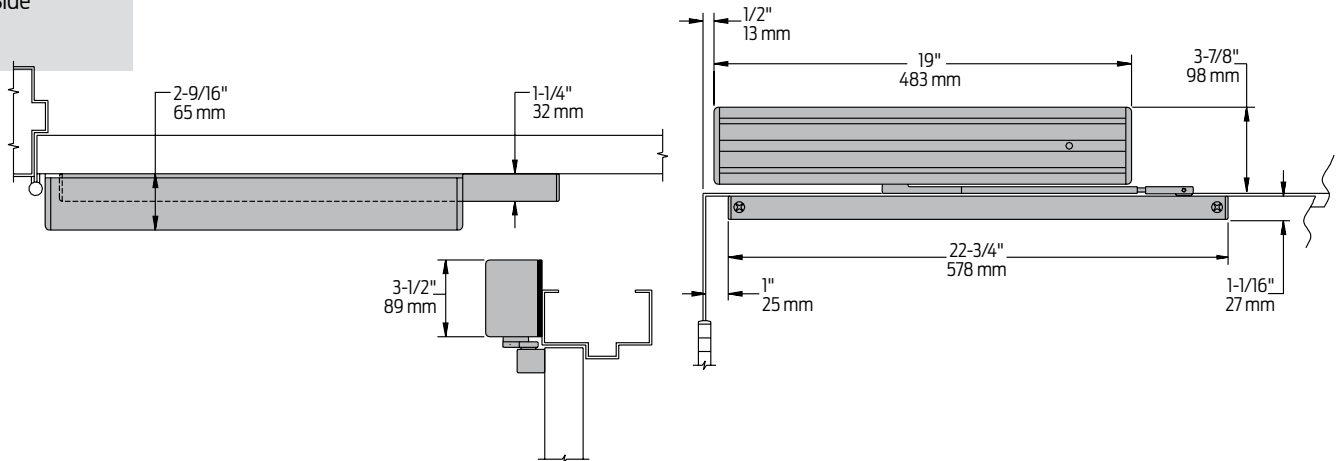
● AVAILABLE  
○ NOT AVAILABLE

\* Maximum opening/hold-open point with standard template. See individual closer series for degrees of opening per installation.

# 4310ME Series

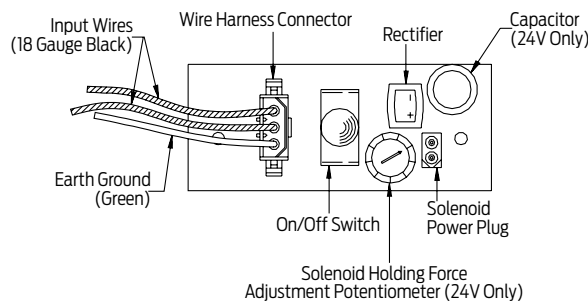
## Mounting details

### Hinge (Pull) Side Mounting



<b>Butt Hinges</b>	Should not exceed 4-1/2" (114 mm) in width
<b>Top Rail</b>	1-1/16" (27 mm) minimum
<b>Reveal</b>	<ul style="list-style-type: none"> <li>Should not exceed 1/8" (3 mm) for Swing-Free arm</li> <li>Should not exceed 2-11/16" (68 mm) for double egress arm</li> </ul>
<b>Head Frame</b>	Requires 2" (51 mm) minimum
<b>Clearance</b>	1-1/4" (32 mm) behind door required for installation
<b>Bypass</b>	<ul style="list-style-type: none"> <li>(suffix "B80 or B140") eliminates hold-open function up to a specified point of the doors swing</li> <li>B80 cylinder from 0° to 80°</li> <li>B140 cylinder from 0° to 140°</li> </ul>
<b>Maximum Opening</b>	<ul style="list-style-type: none"> <li>Templating allows 180° with hold-open points up to 160°</li> <li>Optional double egress arm limited to 95°</li> <li>Please note that many track style door closers are capable of allowing 180° of door swing.</li> <li>Be aware that the majority of track style closers are at their weakest closing force in the 180° – 130° range</li> <li>Consult factory for applications where exterior or large/heavy door must swing 180°</li> </ul>
<b>ME Electrical Options</b>	<ul style="list-style-type: none"> <li>These assemblies have a single electrical circuit with a choice of voltages</li> <li>A separate TRANSFORMER, 4040SE-3210, can be used to reduce line voltage to 24V AC</li> <li>Circuitry accepts either AC or DC input</li> <li>Please specify 24V or 120V</li> </ul>
<b>Options</b>	<ul style="list-style-type: none"> <li>Hold-open bypass</li> <li>24V or 120 volt input, please specify</li> </ul>

### ME (4310, 4410) Wiring Diagram



#### Notes:

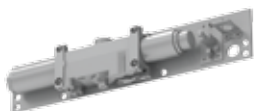
- Information applies to ME closer
- Functions as full rack and pinion door closer when hold-open is not engaged or when current is interrupted with Swing-Free arm engaged
- Swing free arm allows door to be moved without door closer resistance

### Cylinder



**4310ME-3971**  
ME Cylinder Assembly

- Handed
- Cast iron
- Specify 24V or 120V
- Standard



**4310ME-3071**  
ME Cylinder/Plate Assembly

- Handed
- “On/Off” switch assembly controls hold-open function
- Circuitry accepts either AC or DC input
- 24V or 120V, please specify
- Standard

### Cover



**4310ME-72MC**  
Metal Cover

- Handed
- Standard

### Arms



**4310ME-3077SF**  
Swing-Free Arm

- Handed
- After door is placed in hold-open, secondary pivot point allows up to 160° swing without door closer resistance



**4310ME-3077DE**  
Double Egress Arm

- Handed
- For double egress doors and frames
- 2-11/16” (68 mm) maximum reveal
- Optional

### Track

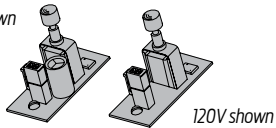


**4310ME-3038**  
Track

- Non-handed
- Standard

### Switch

24V shown



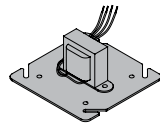
#### 4310ME-3351 Switch Assembly

- Provides continuous hold-open function
- 24V or 120V, please specify



#### 4310ME-3034 Track Roller

- Quiet, low friction roller assembly
- Shoulder dimension "X" = 1/8" (3mm)



#### 4310-3210 Transformer

- Reduces line voltage from 120V to 24V AC
- Mounted on cover for 4" (102 mm) x 4" x 2-1/8" (54mm) junction box (by others)



#### 4310ME-3354 ME Wiring Harness

- Three wire harness with 6" (152 mm) leads for field wiring connections

### How-to-order 4310ME Series closers

#### Select hand

- RH
- LH

#### Voltage

- 24V AC/DC
- 120V AC/DC

#### Specify finish

- Standard Powder Coat \_\_\_\_\_  
Aluminum, Dark Bronze, Statuary, Light Bronze, Black, Brass.

#### Closer will be shipped with:

- Standard cover
- Swing-free (sf) arm
- Standard track
- Track roller
- Wood & machine screw pack  
unless options listed below are selected.

### Closer options

#### Cylinder function

- Bypass 80° (B80)
- BBypass 140° (B140)

#### Arm

- Double Egress (DE)

#### Finishes

- Custom Powder Coat (RAL) \_\_\_\_\_
- Plated Finish, US \_\_\_\_\_

#### Screw pack

- TB\*, Wood & Machine Screw (TBWMS)
- TORX Machine Screw (TORX)
- TB\* & TORX Machine Screw (TBTRX)
- \*Specify door thickness if other than 1-3/4".

#### Installation accessories

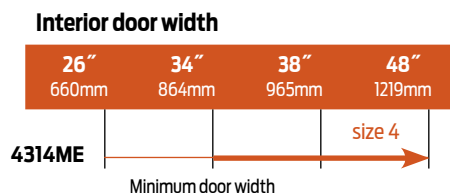
- Transformer, 4310ME-3210

#### Special template

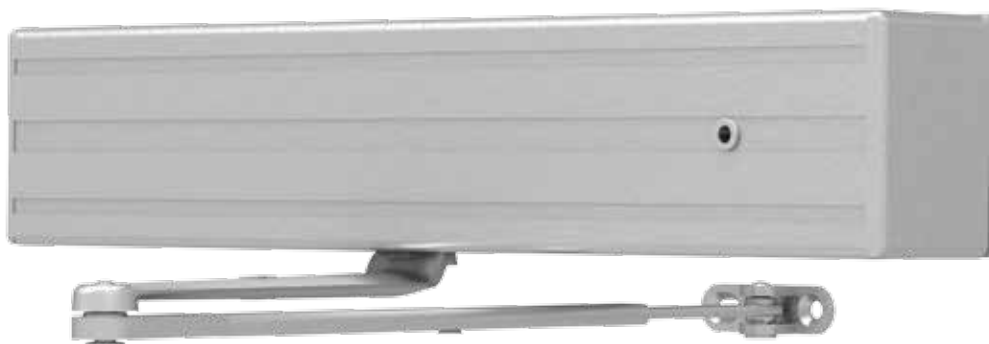
- ST- \_\_\_\_\_

### Table of sizes

- Closing power of 4314ME Series closers may be increased 15%



→ Indicates recommended range of door width for closer size.



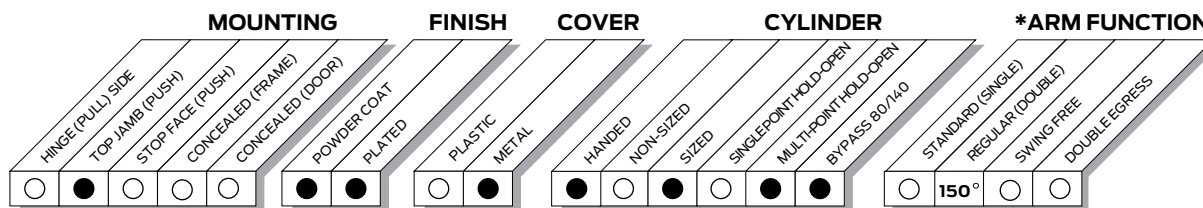
The 4410ME SENTRONIC® is a heavy duty, electrically controlled closer/holder designed to provide infinitely adjustable hold-open for fire and smoke barrier doors. Door is held open until current interruption releases mechanism and the door closes. Double lever arm closer is specifically designed for interior doors. Choice of finishes, cylinder functions, and installation accessories meet virtually all life safety requirements.

<b>Certifications</b>	Grade 1 - ANSI A156.15, UL 10C, 100 Hour Salt Spray, Meets BAA - Buy American Act, NFPA 101
<b>Body Construction</b>	<ul style="list-style-type: none"> <li>■ Cast iron Body</li> <li>■ Full Complement Bearing</li> <li>■ 1-1/2" Diameter Piston</li> <li>■ 11/16" Diameter Double Heat Treated Pinion Journal</li> </ul>
<b>Fluid</b>	All Weather Fluid
<b>Handing</b>	Handed
<b>Size</b>	Sized, 4 only
<b>Warranty</b>	2 years

<b>Cover</b>	Metal, Standard
<b>Fasteners</b>	Wood and machine screw pack
<b>Mounting</b>	Top jamb (Push Side)
<b>Arms</b>	Regular arm
<b>Finishes/Colors/ Powder Coat</b>	<ul style="list-style-type: none"> <li>■ Aluminum (689)</li> <li>■ Statuary Bronze (690)</li> <li>■ Light Bronze (691)</li> <li>■ Black (693)</li> <li>■ Dark Bronze (695)</li> <li>■ Brass (696)</li> <li>■ Custom colors optional</li> </ul>
<b>Wiring</b>	<ul style="list-style-type: none"> <li>■ Optional SRI primer - powder coat only</li> <li>■ Optional plated finishes</li> </ul>
	<ul style="list-style-type: none"> <li>■ Concealed or surface</li> <li>■ Interfaces with fire alarm systems</li> </ul>

**Special Templates**

Customized installation templates or products may be available to solve unusual applications. Contact LCN Product Support for assistance.



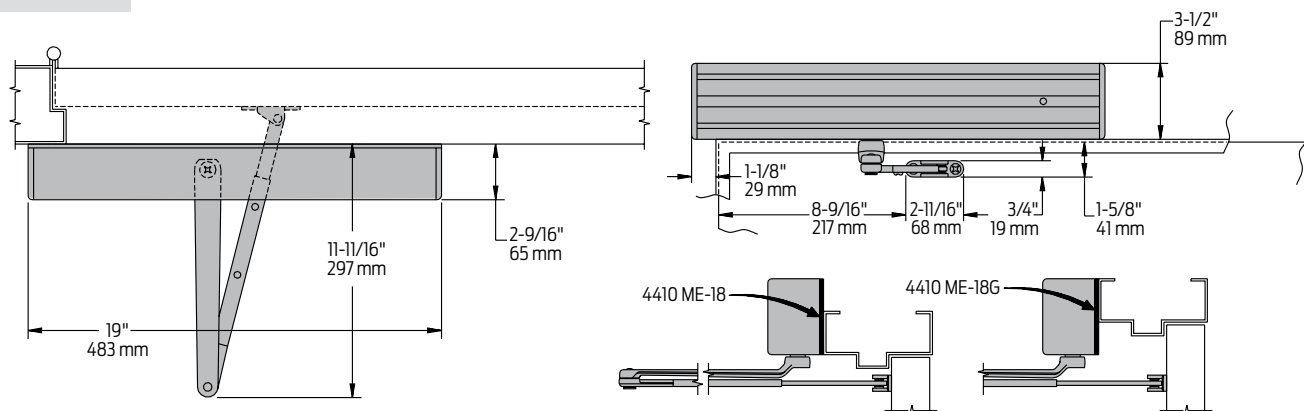
● AVAILABLE  
○ NOT AVAILABLE

\* Maximum opening/hold-open point with standard template. See individual closer series for degrees of opening per installation.

# 4410ME Series

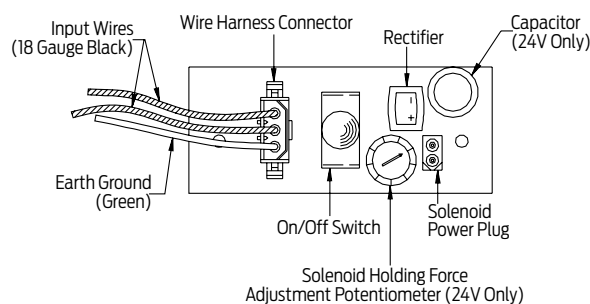
## Mounting details

### Top Jamb (Push Side) Mounting



<b>Butt Hinges</b>	Should not exceed 4-1/2" (114 mm) in width
<b>Top Rail</b>	<ul style="list-style-type: none"> <li>1-3/4" (44 mm) minimum</li> <li>3-3/4" (95mm) minimum with flush ceiling</li> </ul>
<b>Reveal</b>	<ul style="list-style-type: none"> <li>3-7/8" (98 mm) maximum regular or long arm</li> <li>For reveals greater than 3-7/8" consult factory</li> </ul>
<b>Head Frame</b>	<ul style="list-style-type: none"> <li>Requires 1-1/2" (38 mm) minimum</li> <li>2" (51 mm) minimum with flush ceiling</li> </ul>
<b>Flush Ceiling</b>	Requires PLATE, 4410ME-18G substituted for standard mounting plate
<b>Bypass</b>	<ul style="list-style-type: none"> <li>(Suffix "B80" or "B140") eliminates hold-open function up to a specified point of door swing</li> <li>B80 cylinder from 0° to 80°</li> <li>B140 cylinder from 0° to 140°</li> </ul>
<b>Maximum Opening</b>	<ul style="list-style-type: none"> <li>Templating allows 160°, with hold-open points up to 150°</li> <li>Optional long arm allows 180°, hold-open points up to 170°</li> </ul>
<b>ME Electrical Options</b>	<ul style="list-style-type: none"> <li>These assemblies have a single electrical circuit with a choice of voltages</li> <li>A separate TRANSFORMER, 4040SE-3210, can be used to reduce line voltage to 24V AC. Circuitry accepts either AC or DC input</li> <li>Please specify 24V or 120V</li> </ul>
<b>Options</b>	<ul style="list-style-type: none"> <li>Hold-open bypass</li> <li>Optional long arm allows 180° with hold-open points up to 170°</li> <li>Optional -18G plate accommodates flush ceiling conditions</li> <li>24V or 120V volt input, please specify</li> </ul>

### ME (4310, 4410) Wiring Diagram

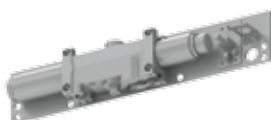


### Cylinders



**4414ME-3971**  
ME Cylinder Assembly

- Handed
- Cast iron
- Specify 24V or 120V
- Standard



**4414ME-3071**  
ME Cylinder/Plate Assembly

- Handed
- "On/Off" switch assembly controls hold-open function
- Circuitry accepts either AC or DC input
- Please specify 24V or 120V
- Standard

### Cover



**4410ME-72MC**  
Metal Cover

- Handed

### Arms



**4410ME-3077**  
Regular Arm

- Non-handed
- 3-7/8" (98 mm) maximum reveal



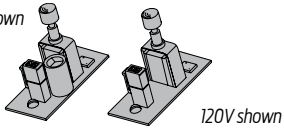
**4410ME-3077L**  
Long Arm

- For increasing opening to 180°
- 3-7/8" (98 mm) maximum reveal
- Optional



### Switch

24V shown



#### 4410ME-3351 Switch Assembly

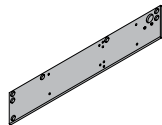
- Provides continuous hold-open function
- Available as 24V or 120V, please specify

### Installation Accessories



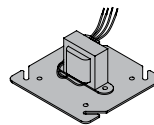
#### 4410ME-18 Mounting Plate

- Standard



#### 4410ME-18G Mounting Plate

- Substituted for standard plate on flush ceiling installations
- Optional



#### 4410ME - 3210 Transformer

- Reduces line voltage from 120V to 24V AC
- Mounted on cover for 4" (102 mm) x 4" x 2-1/8" (54 mm) junction box (by others)



#### 4410ME-3354 ME Wiring Harness

- Three wire harness with 6" (152 mm) leads for field wiring connections

### How-to-order 4410ME Series closers

#### Select hand

- RH
- LH

#### Voltage

- 24V AC/DC
- 120V AC/DC

#### Specify finish

- Standard Powder Coat \_\_\_\_\_  
Aluminum, Dark Bronze, Statuary, Light Bronze, Black, Brass.

#### Closer will be shipped with:

- Standard cover
- Regular arm
- Wood & machine screw pack  
unless options listed below are selected.

### Closer options

#### Cylinder function

- Bypass 80° (B80)
- Bypass 140° (B140)

#### Arm

- Long (LONG)

#### Finishes

- Custom Powder Coat (RAL)
- Plated Finish, US

#### Screw pack

- TB\*, Wood & Machine Screw (TBWMS)
- TORX Machine Screw (TORX)
- TB\* & TORX Machine Screw (TBTRX)
- \*Specify door thickness if other than 1-3/4"

#### Installation accessories

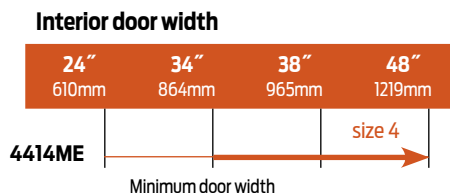
- Plate, 4410ME-18G  
(substituted for standard mounting plate)
- Transformer, 4410ME-3210

#### Special template

- ST- \_\_\_\_\_

### Table of sizes

- Closing power of 4414ME Series closers may be increased 15%



Indicates recommended range of door width for closer size.